

orbit[®] AIR ASTRO

INFLATABLE CARAVAN ANNEXE RANGE

ASTRO



orbitairtech.com.au

DEVELOPED SPECIFICALLY FOR THE AUSTRALIAN CLIMATE
From the makers of the Multi-Award Winning Air OPUS[®] Camper Trailer

 purpleline[®]
design...innovate...improve

AIR INFLATION ANNEXE



Spacious and light-filled the ORBIT[®] Air Astro Annexe is a perfect choice

SWITCH TO AIR BEAM TECHNOLOGY

Camping should be about relaxing and enjoying yourself, not spending precious time erecting old-fashioned pole-and-canvas annexes. Use the best annexe accessories that are reliable, easy to set up, take up little space, and will provide you with long-lasting enjoyment and protection.



AIR INFLATION POINT

The ORBIT[®] Air Annexe is fully sealed and rigged with an air inflation point - "plug and puff".



LIGHTWEIGHT CANVAS & UV PROTECTION

The ORBIT[®] Air Astro Annexe is made from materials designed to withstand challenging Australian climate. The heavy duty 300D Micro weave polycotton canvas with UPF50+ sun protection.

orbit[®] AIR ASTRO INFLATABLE AIR ANNEXE

KEY FEATURES:

Proprietary and rigorous design created for convenience, durability and maximum performance in the Australian outdoors.

- Low & high version available: height 255cm or 275 cm
- Lightweight & modern curved design for optimal performance in high winds
- Inflatable for easy set-up
- 3 layered window system (fly screen, window clear & block out)
- Roof air beam structure for simplistic rigidity
- Waterproof 300D micro weave polycotton canvas
- Superior UV protection UPF50+
- Excellent ventilation
- Easy to repair if required
- Plastic LED sleeve for fitting an optional LED light strip
- Tight canvas fit around the bladder beam for strength and structural integrity
- Hand pump with pressure gauge, adjustable ladder bands and steel pegs, wind skirt, ground sheet, dirt skirt and carry bag included

ANNEXE FEATURES



3 layered window system



Air inflation valve



Waterproof ground sheet



Great fitting



Robust storm straps



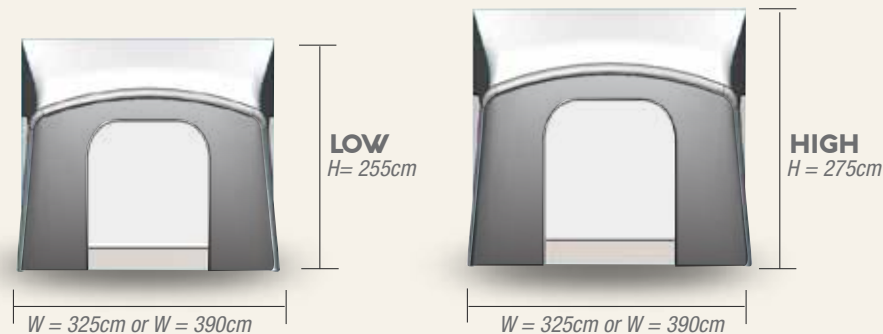
Excellent ventilation

IT'S ALL ABOUT CONVENIENCE AND COMFORT

ORBIT[®] Air Beam technology makes erecting your annexe a breeze – it's so quick and easy to fit, you won't believe how soon you'll be fully set up and enjoying yourself.

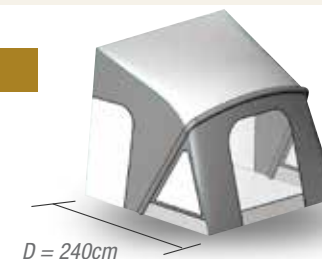


ANNEXE SPECIFICATIONS



ORBIT AIR ASTRO LOW & HIGH RANGE

The ORBIT[®] Air Astro range has a **LOW** and **HIGH** version for touring or off-road caravans. The depth of 240cm is the same for each model.



- Orbit Air Astro 325 Low Dimensions: 325W x 240D x 255H
- Orbit Air Astro 325 High Dimensions: 325W x 240D x 275H
- Orbit Air Astro 390 Low Dimensions: 390W x 240D x 255H
- Orbit Air Astro 390 High Dimensions: 390W x 240D x 275H

IT'S TIME TO UPGRADE YOUR CARAVAN ANNEXE

With a simple push of a button, you can have the most durable, easy to use, practical and stylish annexe in the market that uses today's proven technology.



ANNEXE INCLUSIONS

YOUR ANNEXE BAG CONTAINS

- Inflatable Annexe
- Hand Pump with Pressure Gauge
- Wind Skirt
- Ground Sheet
- Steel Pegs
- Adjustable Support Poles
- Ladder Bands
- Repair Kit
- Sail Track



Carry bag



Steel pegs



Ground sheet



Wind skirt



Ladder bands



Hand pump with gauge

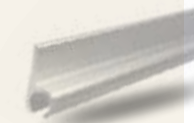
LED LIGHT BAR SET UP



Plastic sleeves are inbuilt along the air beam which allows you to run LED light strips and wiring.

COMES WITH SAIL TRACK

The ORBIT[®] Air Astro Annexe comes with Sail Track so you can customise your annexe installation to suit your needs.



orbit[®] AIR ASTRO INFLATABLE AIR ANNEXE

INFLATABLE ORBIT AIR ANNEXES FROM PURPLE LINE

From the makers of the world's first inflatable camper trailer - The Air OPUS[®]. Purple Line have taken their Multi-Award winning innovation and technology to produce a great range of affordable air annexes built tough for the Australian outdoors.



AIR OPUS[®]
TENT INFLATION TECHNOLOGY



SUPER FAST PITCHING



MEASUREMENT ADVICE

TOP 10 REASONS FOR PURCHASING AN ORBIT AIR CARAVAN ANNEXE

1. Super-fast pitching

Just couple of minutes to put up and take down! The speed of set-up makes Orbit Air Annexes super convenient and family-friendly.

2. Durability

The main structure of the Orbit Air Annexe uses inflatable air beams, which pulls the annexe taut, making it strong and sturdy. Air beams flex with the wind, eliminating breaking or bending poles by accident, or in extreme weather conditions.

3. Lightweight

With no bulky metal poles in the structure, the overall weight is easier to manage. The absence of poles reduces the weight in your rig, so you don't have to worry about your caravan being overweight.

4. Compact

Less bulky and more compact, Orbit Air Annexes take up a little space when packed away, so they only take a small storage area during transport and it's easier to pack them.

5. Spacious

Orbit Air Annexes provide much needed room for everything you need, because space is at a premium in a caravan!

6. Simple Assembly

The Orbit Air Annexe simply hooks up onto your trailer. Pump it up, peg it out and gain instant outdoor living or storage space.

7. Stable Structure

The Orbit Air Beams pull the tent walls taut, making the Annexe much more stable comparing to traditional annexes with poles. The Air Beams are also great at reducing noise made by wind or rain.

8. Affordable

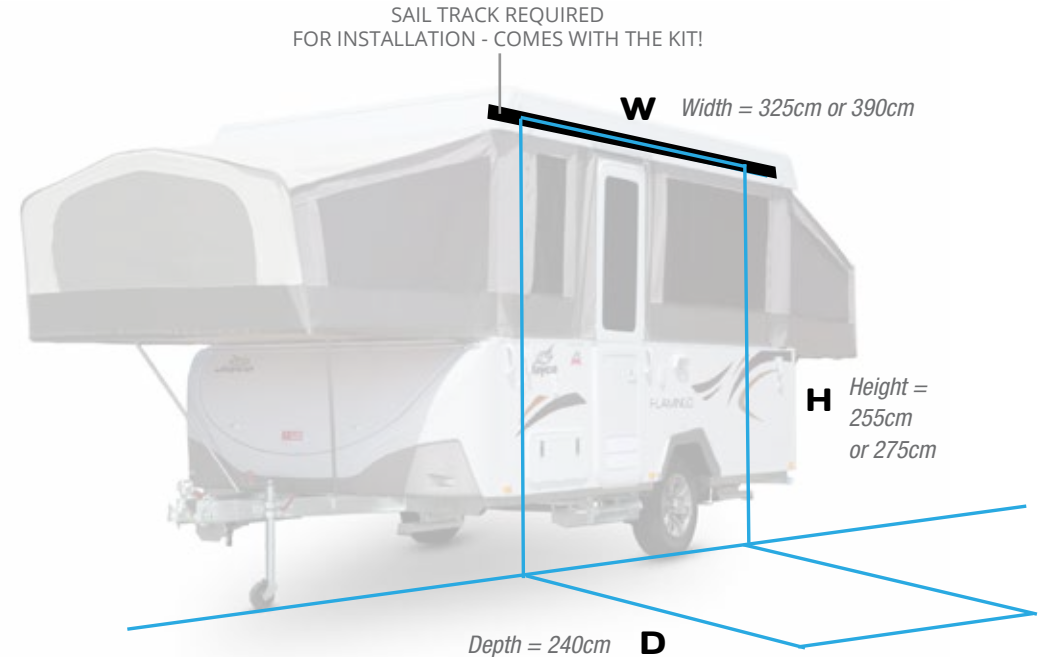
The Orbit Air Annexe range is reasonably priced. Don't get ripped off with an old-fashioned annexes..

9. Designed & Tested in Australia

Orbit Air Annexes have been designed using innovative, yet proven technologies to create a more enjoyable camping and caravanning experience in Australian outdoors.

10. Easy to Repair

With the Orbit Air Annexes it is easy to make a quick repair using the repair kit that comes with the equipment if required.



Measure the distance that your sail track would sit along the top of the van. Then work out the WIDTH, HEIGHT & DEPTH as shown to choose the annexe that suits.

THE ORBIT AIR ASTRO IS AVAILABLE IN 4 SIZES

- Orbit Air Astro 325 Low Dimensions: 325W x 240D x 255H
- Orbit Air Astro 325 High Dimensions: 325W x 240D x 275H
- Orbit Air Astro 390 Low Dimensions: 390W x 240D x 255H
- Orbit Air Astro 390 High Dimensions: 390W x 240D x 275H



ALSO AVAILABLE

ORBIT AIR STOCKIST/ DEALER

orbit[®]
AIR TECHNOLOGY
 orbitairtech.com.au



Orbit Air Comet Annexe



Additional Orbit Air Comet Capsule



Photographs and diagrams are for illustration purposes only. Actual product may vary and any specifications are subject to change without prior notice. All information correct at time of print. © 2018 Purple Line Pty Ltd All Rights Reserved.

DEVELOPED SPECIFICALLY FOR THE AUSTRALIAN CLIMATE
 From the makers of the Multi-Award Winning Air OPUS[®] Camper Trailer

purpleline[®]
 design...innovate...improve