

FURRION VISION S

VEHICLE OBERVATION SYSTEM
VISION S 7" SINGLE CAMERA SYSTEM

FOS07TASF



DOORWAY SECURITY
/REAR CAMERA



7" MONITOR



INTERIOR TABLE STAND



WINDSHIELD MOUNT

MONITOR & ACCESSORIES



2.4GHZ
DIGITAL WIRELESS



TOUCH SCREEN



ANTI-GLARE



REAR ASSIST
MARKER LINES



SECURITY CAMERA
AUTO-WAKE



1 | 4
2 | 3
DISPLAY UP TO
4 CAMERAS*



AUDIO



WINDSHIELD
MOUNT



INTERIOR
TABLE STAND



INTERIOR
WALL MOUNT
(sold separately)

DOORWAY SECURITY/REAR CAMERA



CMOS 120°
VIEW ANGLE



INFRARED
NIGHT VISION



720x480
CAMERA
RESOLUTION



INTELLIGENT
IR CUT FILTER



MOTION
DETECT



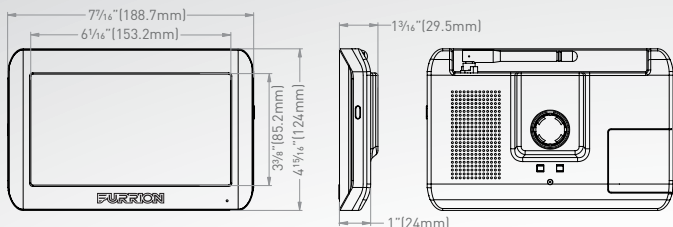
IP65
WATERPROOF

* Additional feature when paired with multiple cameras (sold separately)

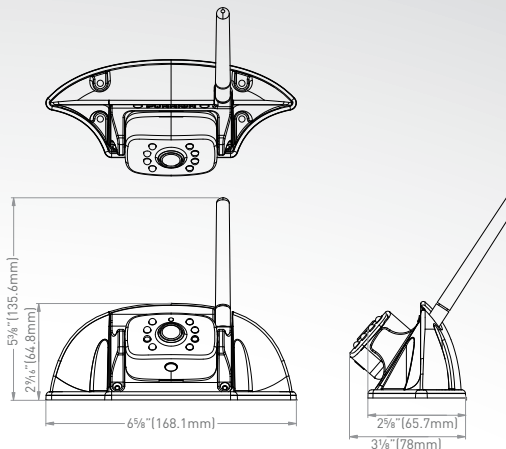


FOS07TASF | VISION S 7" SINGLE CAMERA SYSTEM

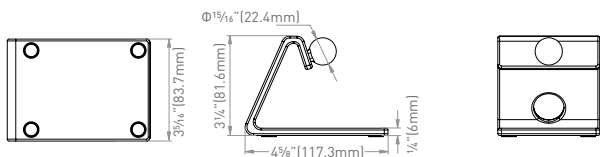
Monitor



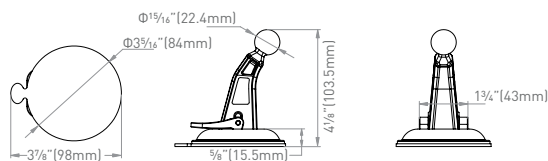
Doorway Security / Rear Camera



Interior Table Stand



Windshield Mount



Part Number	Product
FOS07TASF	

Specifications

Camera

Night Vision Distance	Doorway/Rear: <16.4ft (5m)
CMOS Size	1/3"
Optical Lens	F2.0
IR Cut Filter	850nm Automatic
View Angle/Degree	120°
Working Current (IR ON)	<400mA@12V
Working Current (IR OFF)	<250mA@12V
Camera Pixel	720 x 480
Waterproof	IP65

Monitor

LCD Backlight ON	<500mA@12V
LCD Backlight OFF	<300mA@12V
LCD Size	7"
LCD Resolution at 1View	720 x 480
LCD Brightness	180 cd/m ²
LCD Contrast	350:1
LCD Viewing Angle	L/R80, U60, D70
LCD Aspect Ratio	16:9
Channel Bandwidth	20MHz

Camera/Monitor

Supply Voltage	DC8 to 30V
Wireless Frequency	2.4GHz
Wireless Range	<492.13ft (150m) (open area)
Emitting Power	18+/-2 dBm
Transmitting Speed	6 Mbps (single)
RF Modulation	OFDM
Receiving Sensitivity	-88 +/-3dBm
Decompression Form	H.264
Delaying Time	<250ms
Type Approval	FCC Part 15