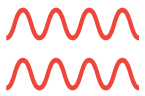


# FURRION

22" LED FHD TV/DVD  
COMBO 12V  
FEFD22S0D



VIBRATIONSMART



CLIMATESMART

FULL HD  
1080

FULL HIGH  
DEFINITION

SMART  
LINK

SMART  
LINK



12V DC



SURGE  
PROTECTION



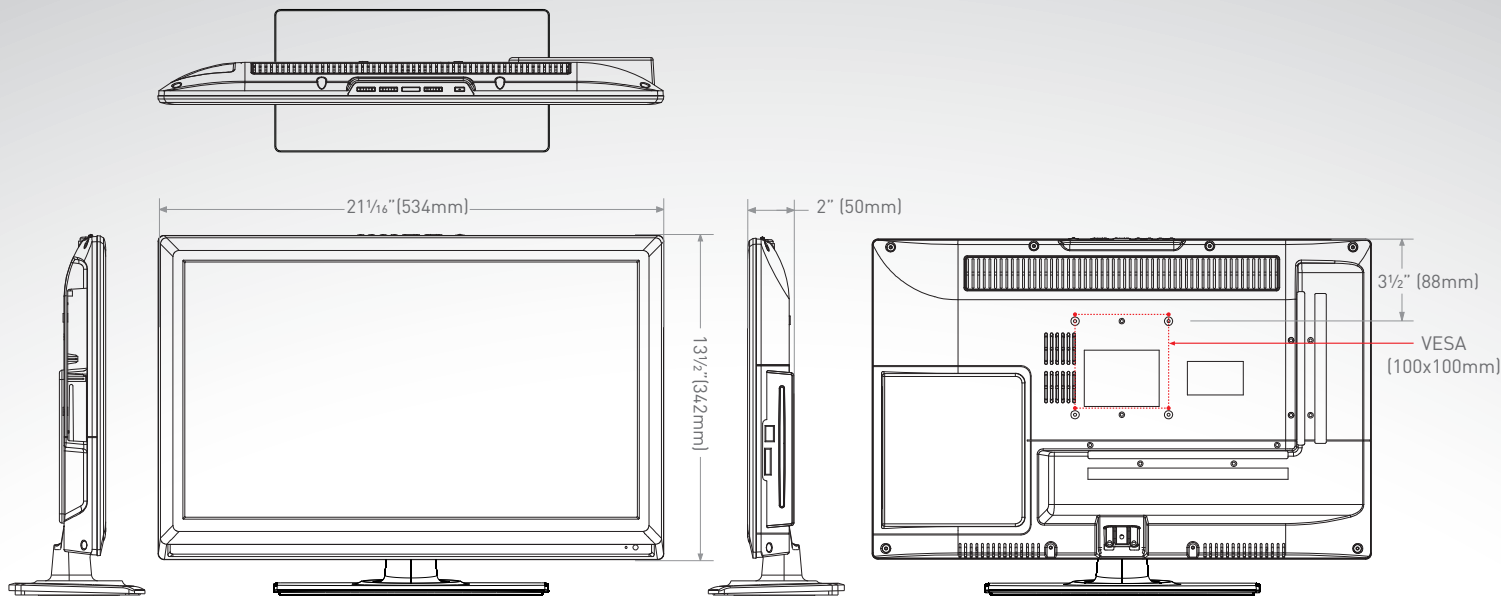
12V STATIC  
ISOLATOR

- 12V TV with built-in DVD player
- Vibrationsmart - designed and tested for vibration resistance
- Climatesmart - designed and tested for extreme climates
- Furrion® smart link communication
- Added LED strips for extra brightness and picture quality

- Front or side access buttons
- 10-30 Volt surge protection
- Custom Furrion upgraded speakers and amplifier
- Static isolator reduces image noise and static caused by 12V power sources



# FEFD22S0D | 22" LED FHD TV/DVD COMBO 12V



## Panel Specifications

Screen Size	22"
Resolution	1920 x 1080
Refresh Rate	60Hz
Contrast Ratio	1000:1
View Angle	170 degree/160 degree

## Broadcasting System

Analog	PAL
Digital	DVB-T

## Audio

Mono/Stereo/Dual (MTS/SAP)	✓
Audio Output (Watts - THD 10%)	5W x 2
Speaker System	1 Way 2 Speakers
Surround System	✓
Bass/Treble/Balance	✓
Auto Volume Leveler	✓
Sound Mode	5 Modes

## Special Features

Child Lock	✓
Closed Caption	✓
Smartlink (HDMI CEC)	✓

## Convenience Features

Auto Tuning/Programming	✓
Language	English/Spanish/French
Favorite Channel Programming	✓

Auto/Manual Clock	✓
On/Off Timer	✓
Sleep Timer	✓
Auto Off (Sleep)	✓
DVD	✓

## AV Inputs & Outputs

# of HDMI Inputs	3
# of D-Sub (VGA) Inputs	1
# of Component (YPbPr) Inputs	1 (Mini)
# of Composite AV Inputs	1
# of Antenna (RF) Inputs	1
# of Audio LR Outputs	1
# of 3.5mm Headphone Outputs	1
# of Coaxial Audio Outputs	1

## Cabinet

Vesa Compatible	100 x 100mm
-----------------	-------------

## Dimensions/Weight

TV without Stand (L x H x W)	21 1/16" x 13 1/2" x 2" (534 x 342 x 50mm)
TV with Stand (L x H x W)	21 1/16" x 14 13/16" x 5 7/8" (534 x 376 x 149mm)
Shipping Dimensions (L x H x W)	23 7/16" x 15 3/4" x 3 15/16" (594 x 400 x 100mm)
Shipping Weight (kg/lbs)	5.1/11

\* Note: "✓" = Equipped

Certified to 1.6G