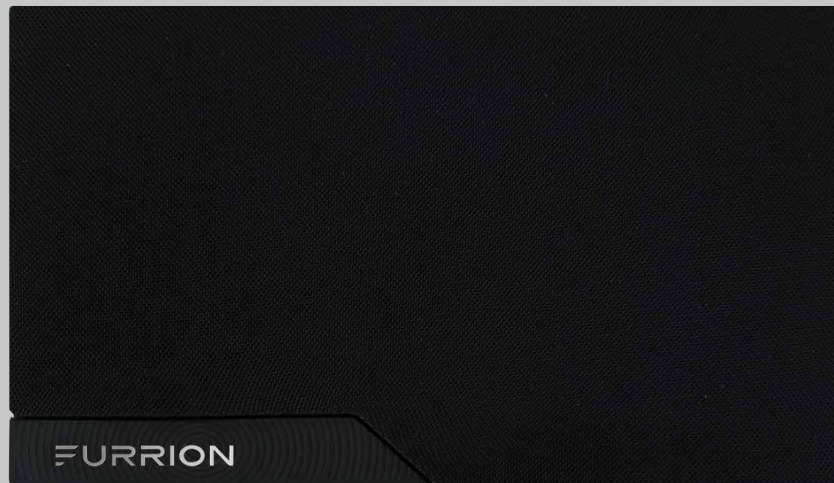


FURRION

SOUNDBAR SPEAKERS

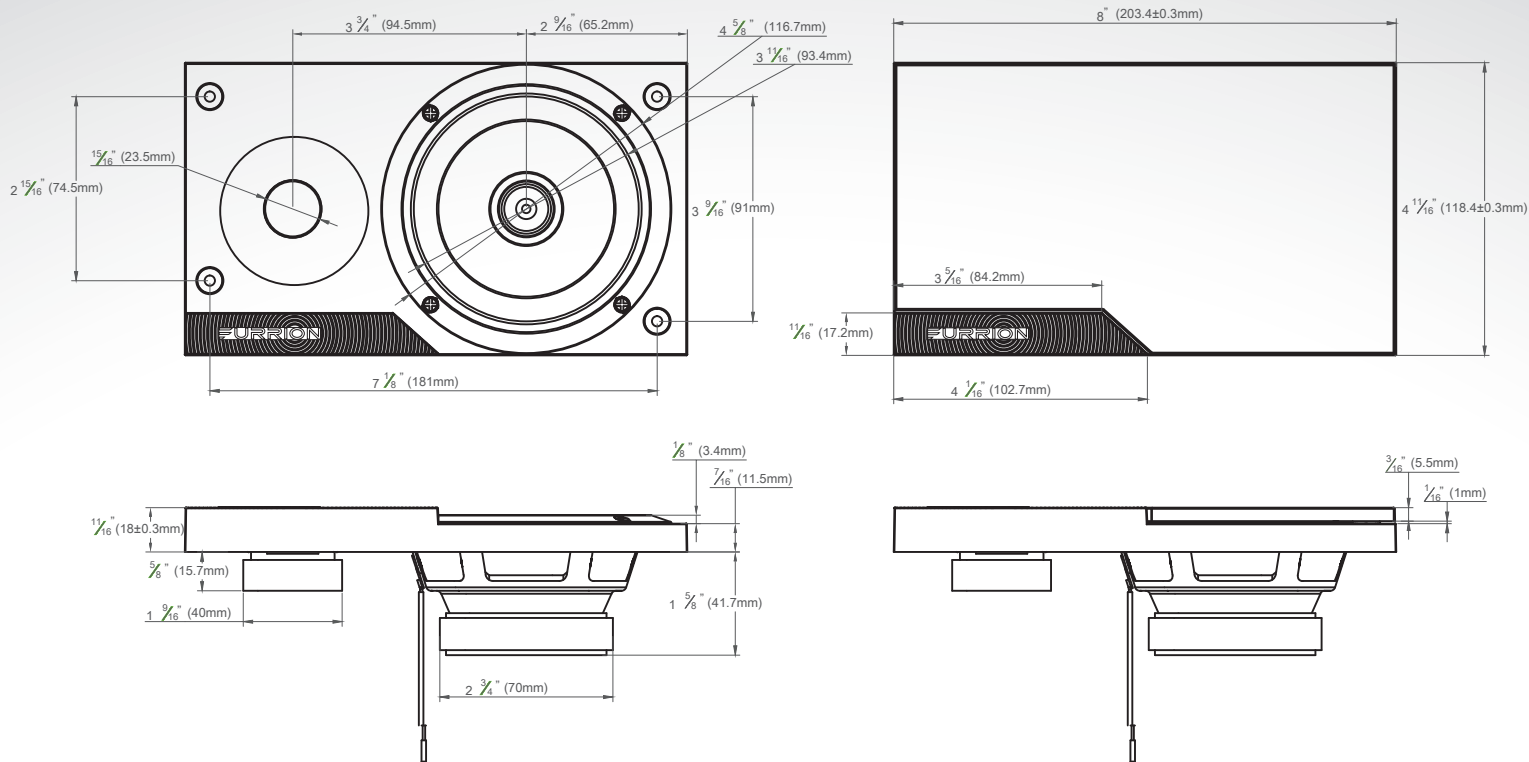
FSBT43S-BL



Fiberglass reinforced cone extends frequency response and minimizes distortion. This controls rigidity and internal damping creating high definition audio with a pure, distinct sound.



FSBT43S-BL | SOUNDBAR SPEAKERS



Specifications

Voice coil electro Impedance	4 Ω @1K Hz 1V
Resonance frequency	80±20% Hz
Output sound pressure level	88 dB
Characteristic sensitivity	±3 dB
Effective frequency band	Fo~20K Hz
Harmonic distortion	5% less than 1W 85~10K Hz or more than
Power usage	Left "+", Right "-"
Outputs on product	25W
Product to be compatible with	Furrion Stereo products

Product Packaging

Packaging type	Brown Box
Quantity (pcs)	1
Individual Packaging Dimensions(W x H x D)	$9\frac{3}{4}$ " x $7\frac{1}{2}$ " x $5\frac{5}{8}$ " (247mm x 190mm x 149mm)
Individual Packaging Gross Weight (kg/lbs)	2.3/5.1
Individual Packaging Net Weight (kg/lbs)	1.6/3.5

Master Carton

Packaging type	Master Carton Box
Quantity per box	8
Master Carton Dimensions(W x H x D)	$19\frac{15}{16}$ " x $12\frac{1}{4}$ " x $15\frac{9}{16}$ " (506mm x 310mm x 395mm)
Master Carton Gross Weight (kg/lbs)	18.5/40.8
Master Carton Net Weight (kg/lbs)	12.8/28.2