

ACCESS DOORS



FEATURES

- Lockable hatch door with recessed handles
- Made from strong UV resistant SMC (sheet moulding compound)
- Dust and water seal built-in
- Can be installed in any position - with the hinge at the top, bottom or either side
- Available in black and white

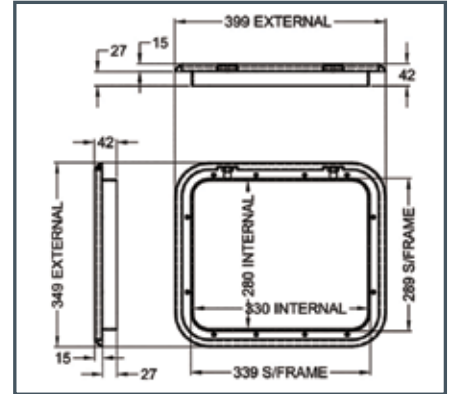
ACCESS DOORS

DOOR 1

600-00000 (White)



600-00020 (Black)

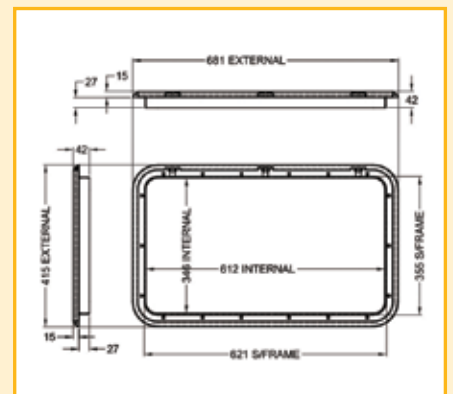


DOOR 2

600-00002 (White)



600-00022 (Black)

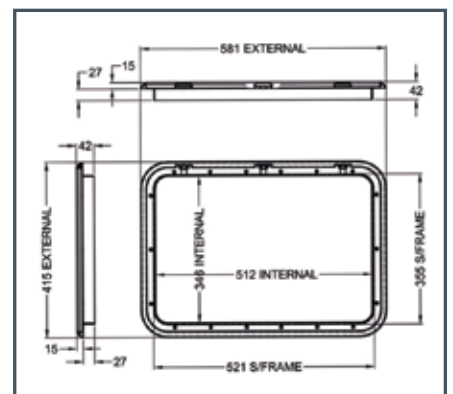


DOOR 3

600-00004 (White)



600-00024 (Black)



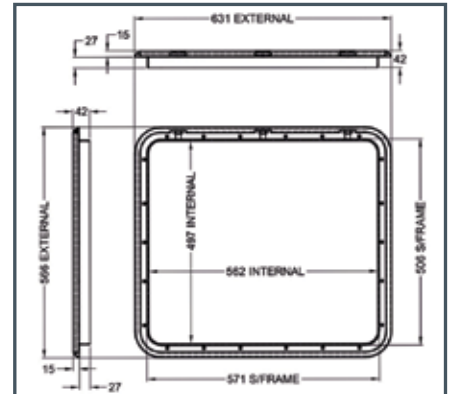
ACCESS DOORS

DOOR 4

600-00006 (White)



600-00026 (Black)

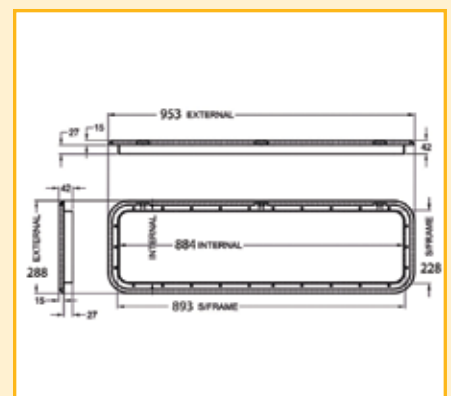


DOOR 5

600-00008 (White)



600-00028 (Black)

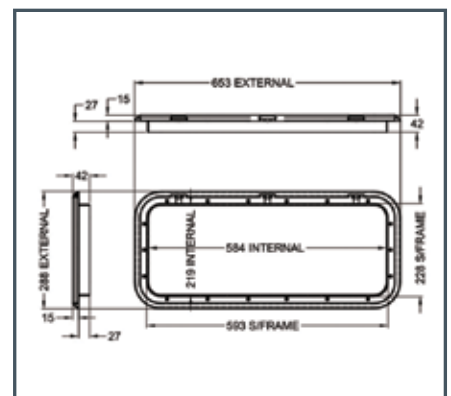


DOOR 6

600-00010 (White)



600-00030 (Black)



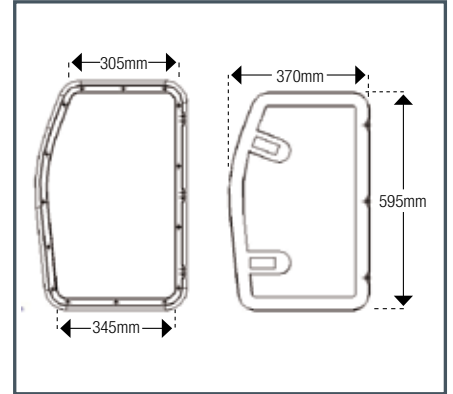
ACCESS DOORS

DOOR 7

600-00012 (White)



600-00032 (Black)

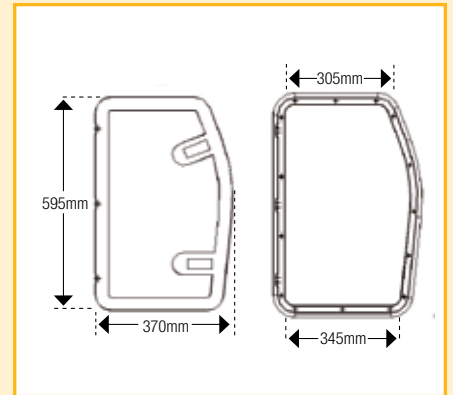


DOOR 8

600-00014 (White)



600-00034 (Black)



600-00359

Chrome Lock to suit all doors



600-00357

White Lock to suit all doors

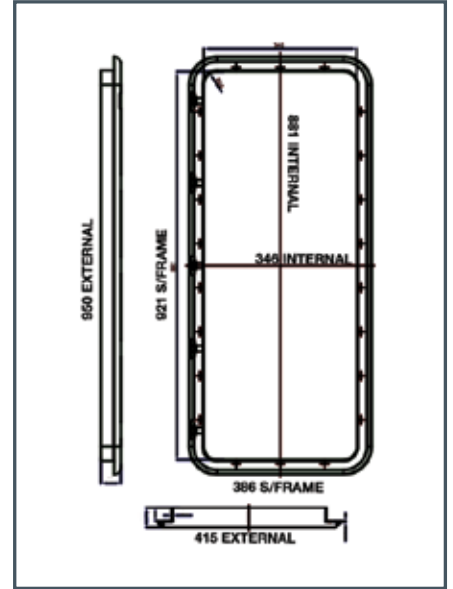


ACCESS DOORS

DOOR 9

600-00016 (White)

600-00036 (Black)



DOOR 10

600-00018 (White)

600-00038 (Black)

